



Key Features

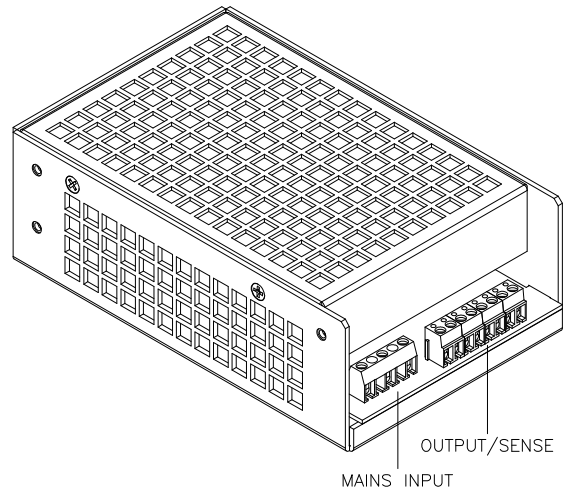
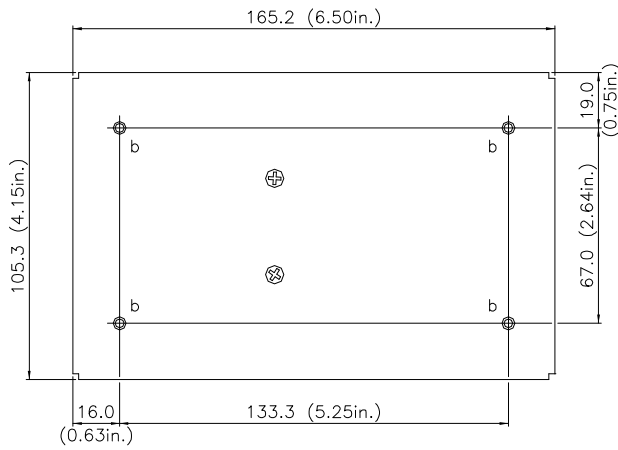
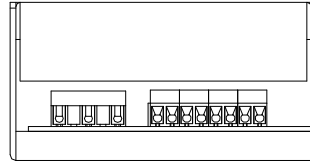
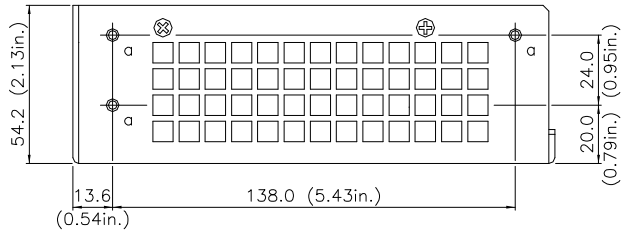
- Form, fit and function replacement for Farnell NS055 range
- 90-264VAC operation
- Connections as original NS055 range
- Complete transparency to end user

Specifications	
Input specification	
Input voltage Range	90-264V AC
Frequency	47 to 63Hz.
Inrush current	<28A
Operating Current	0.4/0.2A (100/200VAC)
Efficiency	Typically 85% at full load.
Power factor	Meets EN61000-3-2.
EMI-filter standard	CISPR 22, EN55022 "B".
Radiated EMI	CISPR 22, EN55022 "B".
Holdup time (typ)	20ms
Harmonic Distortion	Meets EN61000-3-2.
Isolation	Meets EN60950.
Output specification	
Overall regulation	Less than 1%
Ripple pk-pk (20MHz bandwidth)	<50mV
Current limit	105 – 140% of rated output current (constant current to approx 70% output voltage then pulsed)
Protection	Protected for continuous short circuit
Overvoltage protection	115-140% of nominal output Cycle AC input to reset.
Remote sense	Remote sense available. Local sense links fitted as standard.
Minimum load	Not required
General	
Cooling	Convection
Operating temperature	-10°C to 70°C. For 50°C to 70°C, de-rate output by 4% per °C
Weight	0.7kg unpacked

Specification

MAN0055 Series

Mechanical Outline



a - 3 x M3 FIXINGS (SIDE)
 b - 4 x M3 FIXINGS (BASE)

Notes:

- Customer fixings : Base mounting : 4 x M3 ISO Standard ref. 'b' maximum screw penetration 5mm
 Side mounting : 3 x M3 ISO Standard ref. 'a' maximum screw penetration 5mm
- Overall unit size 165.2mm x 105.3mm x 54.2mm
- Ventilation Top and side panels fully ventilated