

Specification MAM0030 Series



Key Features

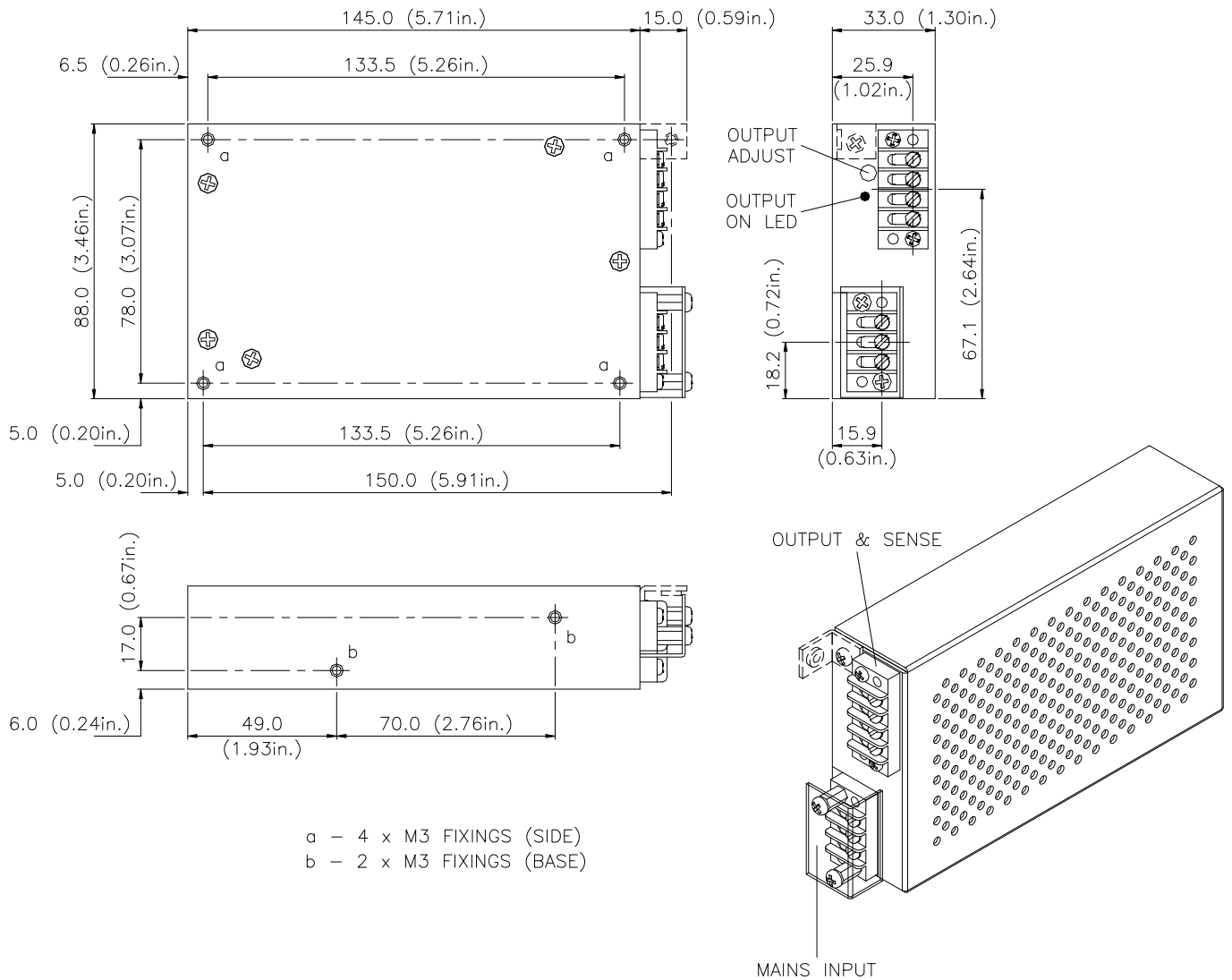
- Form, fit and function replacement for Farnell G 30W range and Advance MMG 30W range
- 90-264VAC operation
- Connections as original G range
- Complete transparency to end user
- Fitting kit to allow replacement of Advance MMG 30W available

Specifications	
Input specification	
Input voltage Range	90-264V AC
Frequency	47 to 63Hz.
Inrush current	<28A
Operating Current	0.4/0.2A (100/200VAC)
Efficiency	Typically 85% at full load.
Power factor	Meets EN61000-3-2.
EMI-filter standard	CISPR 22, EN55022 "B".
Radiated EMI	CISPR 22, EN55022 "B".
Holdup time (typ)	20ms
Harmonic Distortion	Meets EN61000-3-2.
Isolation	Meets EN60950.
Output specification	
Overall regulation	Less than 1%
Ripple pk-pk (20MHz bandwidth)	<50mV
Current limit	105 – 140% of rated output current (constant current to approx 70% output voltage then pulsed)
Protection	Protected for continuous short circuit
Oversvoltage protection	115-140% of nominal output Cycle AC input to reset.
Remote sense	Remote sense available. Local sense links fitted as standard.
Minimum load	Not required
Indicators	Output ON LED
General	
Cooling	Convection
Operating temperature	-10°C to 70°C. For 50°C to 70°C, de-rate output by 4% per °C
Weight	0.7kg unpacked

Specification

MAM0030 Series

Mechanical Outline



- a - 4 x M3 FIXINGS (SIDE)
- b - 2 x M3 FIXINGS (BASE)