

Specification MAM0360 Series



Key Features

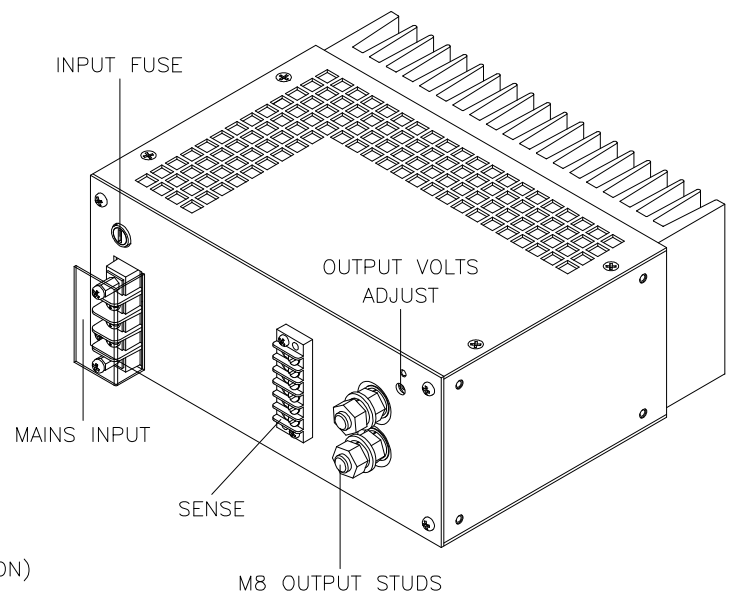
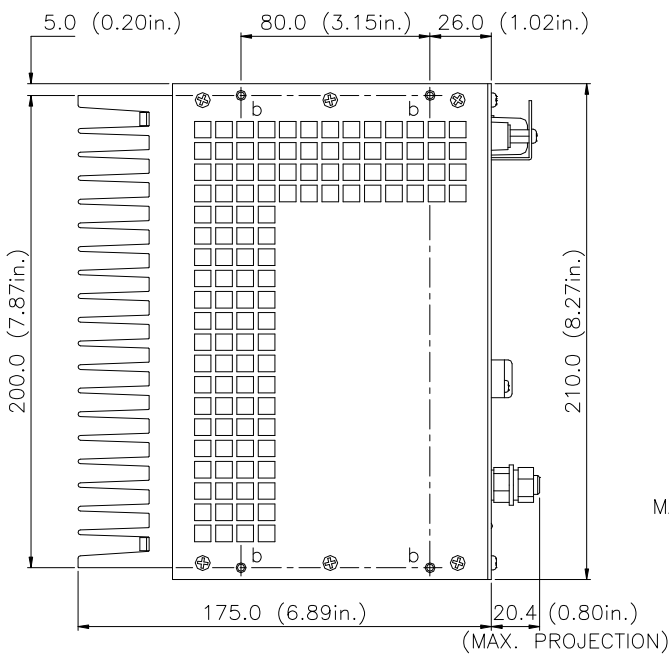
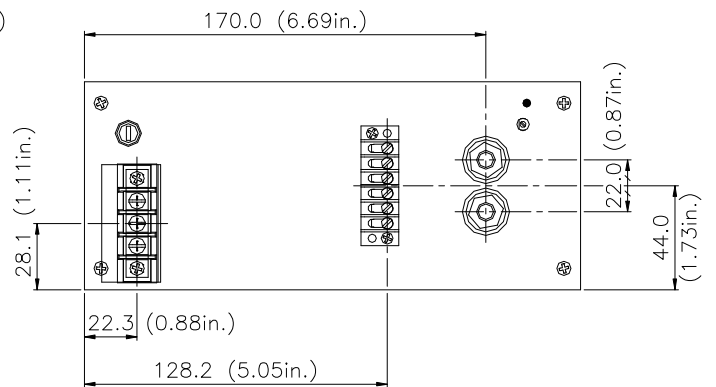
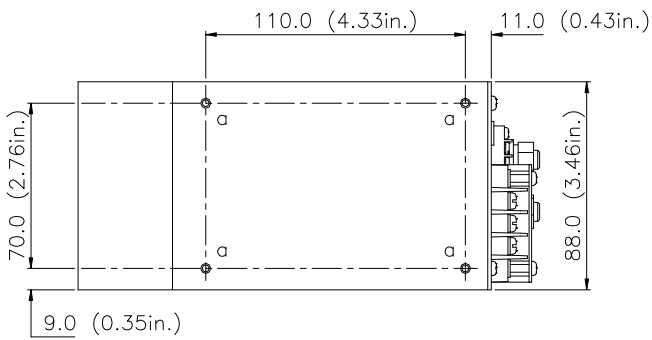
- Form, fit and function replacement for Farnell G 360W range and Advance MG 300W range
- 90-264VAC operation
- Connections as original G and MG range
- Complete transparency to end user
- Does not support remote voltage programming

Specifications	
Input specification	
Input voltage Range	90-264V AC
Frequency	47 to 63Hz.
Inrush current	20/40A (100/200VAC)
Operating Current	6.2/3.2A (100/200VAC)
Efficiency	Typically 85% at full load.
Power factor	0.95 minimum. Meets EN61000-3-2.
EMI-filter standard	CISPR 22, EN55022 "A".
Radiated EMI	CISPR 22, EN55022 "A".
Holdup time (typ)	20ms
Harmonic Distortion	Meets EN61000-3-2.
Isolation	Meets EN60950.
Output specification	
Overall regulation	Less than 0.1%
Ripple pk-pk (20MHz bandwidth)	<50mV
Current limit	>125 – 150% of rated output current (constant current limit)
Protection	Protected for continuous short circuit
Oversvoltage protection	125-145% of nominal output Cycle AC input to reset.
Remote sense	Remote sense available. Local sense links fitted as standard.
Voltage Programming	Not supported
Minimum load	Not required
Indicators	Output ON LED
General	
Cooling	Convection
Operating temperature	0°C to 70°C. For 50°C to 70°C, de-rate output by 2.5% per °C
Weight	2.8kg unpacked

Specification

MAM0360 Series

Mechanical Outline



- a - 4 x M3 FIXINGS (SIDES)
- b - 4 x M3 FIXINGS (BASE)