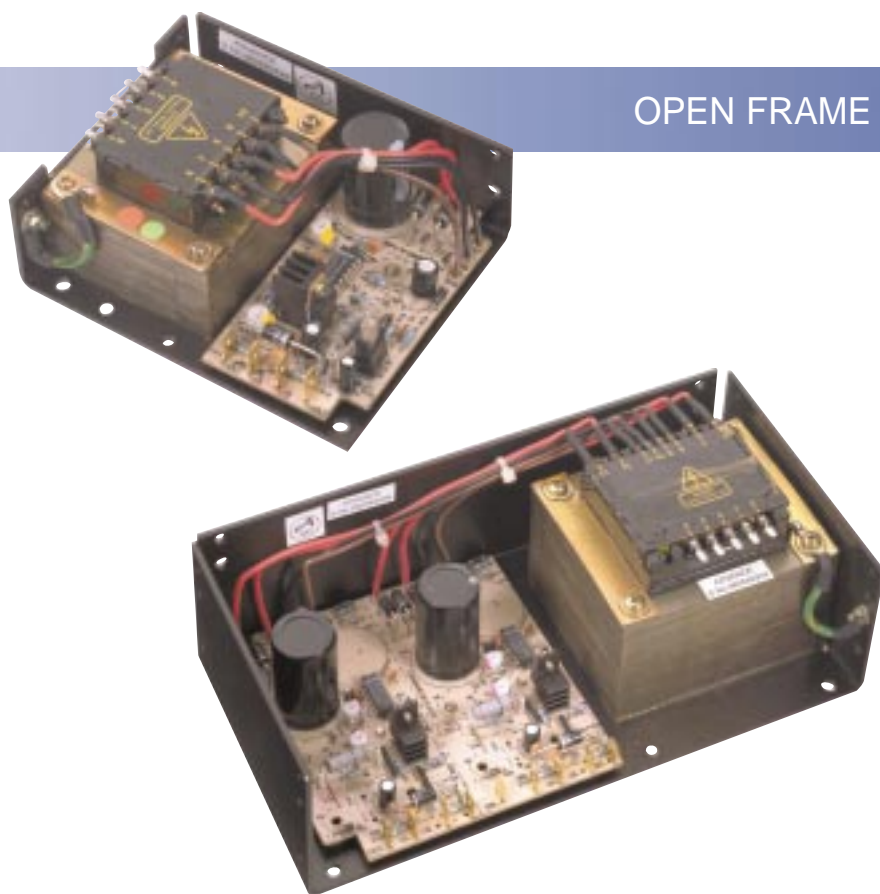


## OPEN FRAME LINEAR POWER SUPPLIES



### Output

- 1 to 10.2 Amps
- 5, 12, 24 Volts

### Features

- 100V - 240V AC input  
Tap selectable
- Remote sense
- International standard size and fixings
- Full power rating at 50°C
- Electronic overcurrent protection
- Overvoltage protection on 5V units
- Optional mesh cover
- FAST-ON output connections

**T**he A Series is a high quality line of open frame linear power supplies. Designed to an industry standard frame size, these power supplies offer superior quality of construction and performance. They are particularly well suited for applications where the absence of high frequency switching noise is required.

### Specifications

#### AC Input

100V, 120V, 220V and 240V AC  
+10%, -13%, 47Hz – 63Hz

#### Input Fuse

See table

#### DC Output

See table. Adjustment range  
±5% minimum

#### Line Regulation

±0.05% for a 10% change

#### Load Regulation

±0.05% for a 50% load change

#### Output Ripple

3mV p-p ±0.05% maximum

#### Transient Response

<50ms for 50% load change

#### Short Circuit Protection

Foldback current limit  
with automatic recovery

#### Overvoltage Protection

Built on 5V models only  
Set at 6.2V ± 0.4V

#### Remote Sense

Provided on all models  
Open sense lead protection built-in

#### Stability

±0.05% for 24 hours after warm up

#### Temperature Rating

0 to 50°C full rated  
Derate linearly to 40% at 70°C

#### Approvals

UL approved  
CE marked (EN60950) to the European  
Low Voltage Directive (LVD) 73/23/EEC  
amended by 93/68/EEC relating to the  
safety of electrical equipment

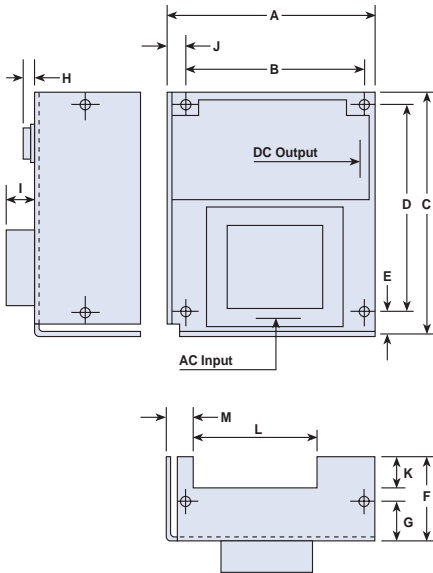
**advance**  
POWER

[www.advancepower.com](http://www.advancepower.com)

# A SERIES

## OPEN FRAME LINEAR POWER SUPPLIES

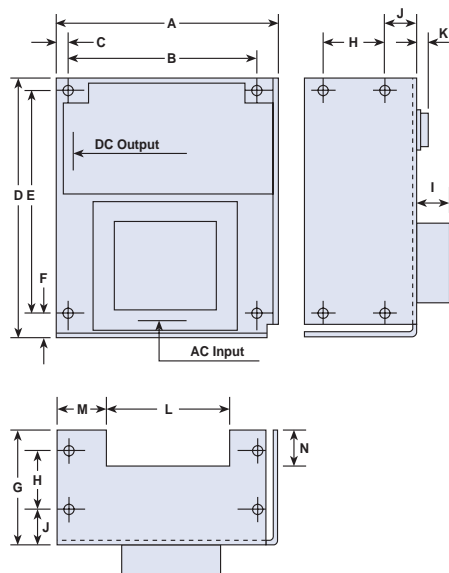
### Case 'A' Outline Drawing



4.8mm dia. Mounting Hole

Dimensions	inches	mm
A	4.00	101.6
B	3.375	85.73
C	4.87	123.7
D	4.125	104.78
E	0.50	12.7
F	1.62	41.15
G	0.75	19.05
H	0.342	8.7
I	0.519	13.2
J	0.379	9.65
K	0.287	7.3
L	2.44	62
M	0.862	21.9

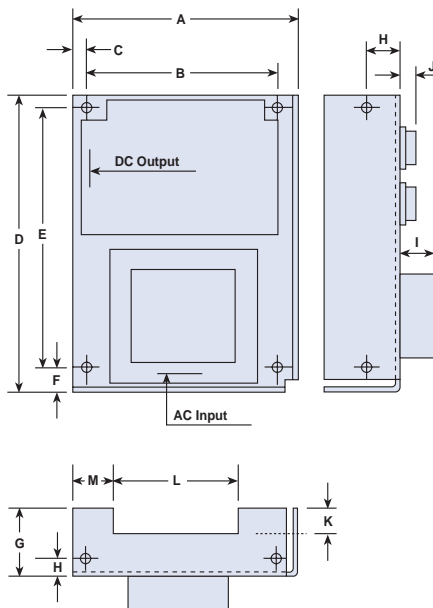
### Case 'B' Outline Drawing



4.8mm dia. Mounting Hole

Dimensions	inches	mm
A	4.881	124
B	4.133	105
C	0.25	6.35
D	5.63	143
E	4.881	124
F	0.5	12.7
G	2.50	63.5
H	1.25	31.75
I	0.629	16
J	0.767	19.5
K	0.342	8.7
L	2.559	65
M	1.003	25.5
N	0.393	10

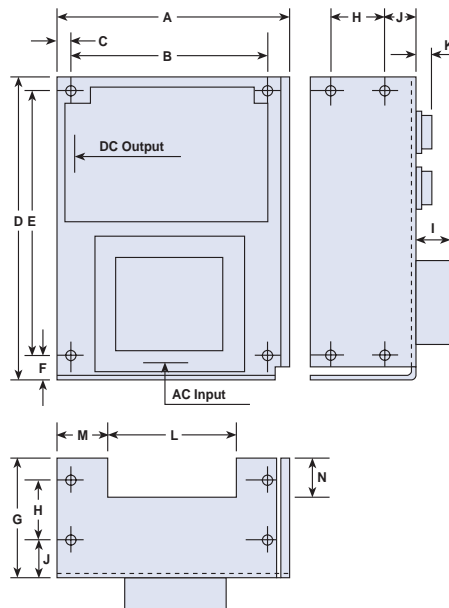
### Case 'AA' Outline Drawing



4.8mm dia. Mounting Hole

Dimensions	inches	mm
A	4.00	101.6
B	3.385	86
C	0.25	6.35
D	6.49	165
E	5.748	146
F	0.50	13
G	1.614	41
H	0.728	18.5
I	0.629	16
J	0.342	8.7
K	0.334	8.5
L	2.44	62
M	0.755	19.2

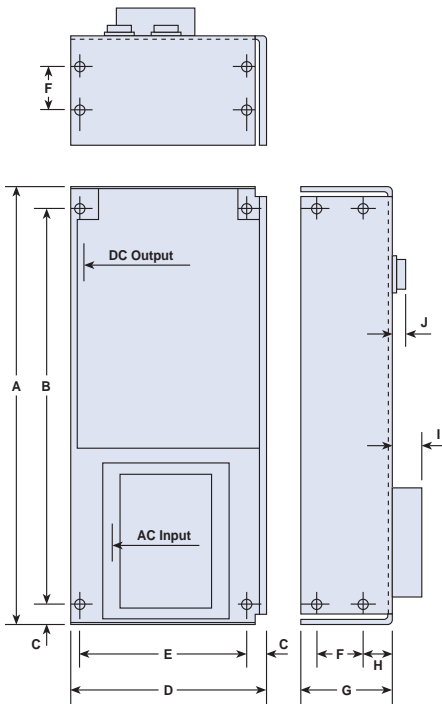
### Case 'BB' Outline Drawing



4.8mm dia. Mounting Hole

Dimensions	inches	mm
A	4.881	124
B	4.133	105
C	0.25	6.35
D	7.00	178
E	6.25	159
F	0.50	13
G	2.50	63.5
H	1.25	31.75
I	0.629	16
J	0.767	19.5
K	0.342	8.7
L	2.618	66.5
M	1.023	26
N	0.393	10

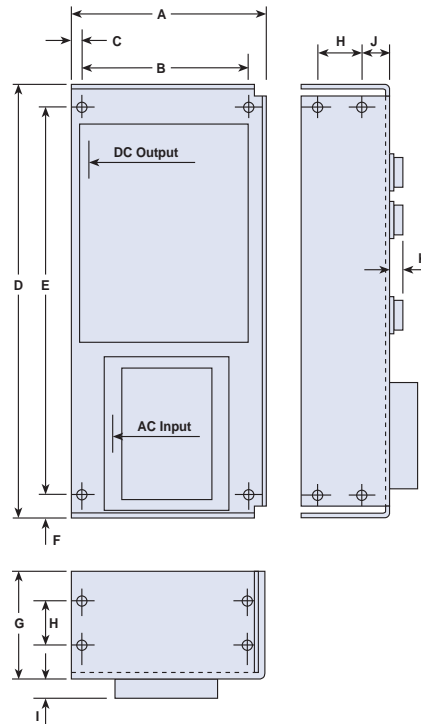
### Case 'D' Outline Drawing



4.8mm dia. Mounting Hole

Dimensions	inches	mm
A	9.00	228.6
B	8.00	203.2
C	0.50	12.7
D	4.87	123.7
E	4.125	104.78
F	1.25	31.75
G	2.75	69.85
H	0.75	19.05
I	0.629	16
J	0.342	8.7

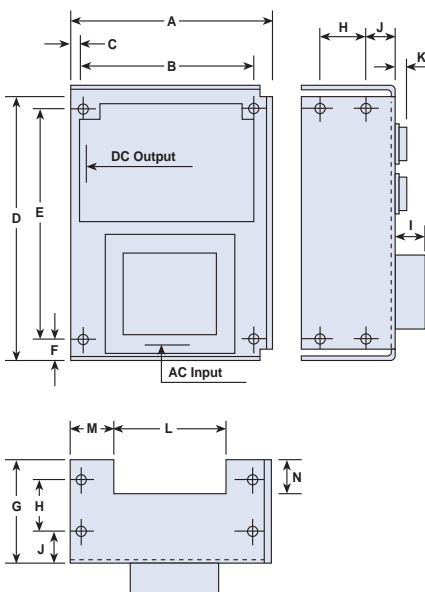
### Case 'E' Outline Drawing



4.8mm dia. Mounting Hole

Dimensions	inches	mm
A	4.881	124
B	4.133	105
C	0.25	6.35
D	13.956	354.5
E	12.992	330
F	0.511	13
G	2.755	70
H	1.259	32
I	0.531	13.5
J	0.748	19
K	0.342	8.7

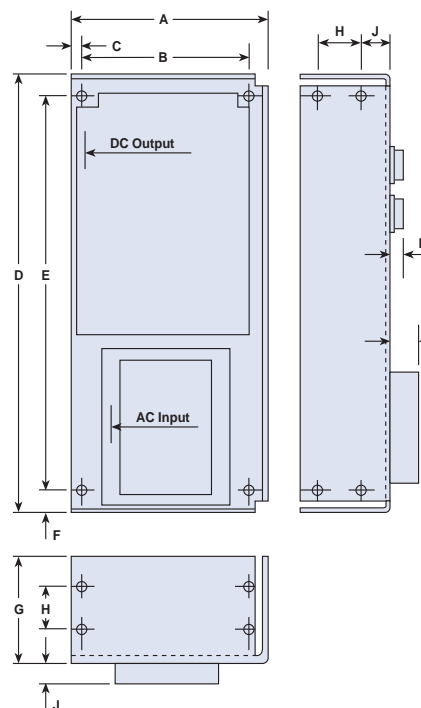
### Case 'N' Outline Drawing



4.8mm dia. Mounting Hole

Dimensions	inches	mm
A	4.881	124
B	4.133	105
C	0.25	6.35
D	7.00	178
E	6.25	159
F	0.337	9.6
G	2.755	70
H	1.25	31.75
I	0.629	16
J	0.767	19.5
K	0.342	8.7
L	2.618	66.5
M	1.003	25.5
N	0.393	10

### Case 'CC' Outline Drawing



4.8mm dia. Mounting Hole

Dimensions	inches	mm
A	4.881	124
B	4.133	105
C	0.25	6.35
D	9.37	238
E	8.346	212
F	0.5	12.7
G	2.75	69.85
H	1.25	31.75
I	0.629	16
J	0.767	19.5
K	0.342	8.7

# A SERIES

## OPEN FRAME LINEAR POWER SUPPLIES

Model	Volts	Amps	Case Style	Farnell Part	External Fuse		Weight kg
					100V, 120V	220V, 240V	
AA05030	5	3	A	183-787	1.0A	0.5A	1.4
AB05060	5	6	B	183-799	1.5A	0.75A	2.9
AN05090	5	9	N	183-805	2.0A	1.0A	3.6
AA12018	12	1.8	A	183-817	1.0A	0.5A	1.4
AB12034	12	3.4	B	183-829	1.5A	0.75A	2.9
AD12068	12	6.8	D	183-830	2.5A	1.5A	3.6
AE12102	12	10.2	E	183-842	3.0A	1.5A	4.9
AA24012	24	1.2	A	183-854	1.0A	0.5A	1.4
AB24024	24	2.4	B	183-866	1.5A	0.75A	2.9
AD24048	24	4.8	D	183-878	2.5A	1.5A	3.6
AAA12010	±12	1	AA	183-880	1.0A	0.5A	1.4
ABB12018	±12	1.8	BB	183-891	1.5A	0.75A	2.9
ACC12034	±12	3.4	CC	183-908	2.5A	1.5A	3.6
<b>Covers</b>							
AACOV				183-910			
ABCOV				183-921			
ANCOV				183-933			
ADCOV				183-945			
AECOV				183-957			
AAACOV				183-969			
ABBCOV				183-970			
ACCCOV				183-982			

## Warranty

Advance Power's A series linear power products are under warranty against faulty manufacture and faulty components for a period of one year from the date of delivery. Please refer to conditions of sale for full details.

We reserve the right to amend specifications without prior notification.

An Advance International Group Company

Printed in U.S.A.

## Other Products

### Power Supplies

- AC-DC multi output
- AC-DC single output
- DC-DC converters

### Telecommunications Power

- Inverters
- Rectifiers
- Sub-systems
- Complete systems

### Custom Capabilities

- Complete power systems
- Product development
- Accessories

### United Kingdom

#### Advance Power, Ltd.

#### Modular Power Products

Phone: 01423 320000

Fax: 01423 320001

#### Systems Integration

Phone: 01279 655155

Fax: 01279 655322

E-mail:

sales@advancepower.com

### USA

#### Advance Tektris, Inc.

Phone: 619 593 5000

Fax: 619 593 5014

E-mail:

sales@advance-tektris.com

www.advance-tektris.com

### Germany

#### Advance Power

#### Electronic GmbH

Phone: 06106 7080 30

Fax: 06106 7080 40

E-mail:

advancegmbh@t-online.de

### Italy

#### Advance Italia SRL

Phone: 039 9907612

Fax: 039 599213

E-mail: staff@advance.it

### France

#### Advance France

Phone: 01 30 25 06 00

Fax: 01 34 10 68 16

E-mail: advance.france

@wanadoo.fr

### Hungary

#### Advance Power

#### Elektronikai KFT

Phone: 36 1 2209401

Fax: 36 1 2515520

E-mail: advanceh@elender.hu

### China

#### Advance Power Shanghai

Phone: 021 644 36919

Fax: 021 644 30780

E-mail:

advance@public6.sta.net.cn



www.advancepower.com